



AC Isolation Switch

EAS69 Series 690V 80A

Leading Manufacturer Protects Solar Power Safety

Rev3.0 2023/01/09



EAS69 SERIES

AC Isolator 690V 80A



AC ISOLATION SWITCH

EAS69 Series AC Isolator 690V 80A



Features:

EAS69 isolation switch is widely used in industrial control machinery and various electrical appliances, and can effectively solve the problems of emergency disconnection, safety disconnection, machine control, motor control and so on.

- With alloy contacts, electrical special silver long life and high reliability.
- Small size, space-saving installation.
- Construct a protective finger to make the operation safe.
- With a variety of installation, ease of application of various purpose (panel mount, rail mount, sealed switch box type).
- IP66 degree of protection
- Five years warranty

Model and meaning

Model	Meaning
EAS69	Type Of AC Isolated Switch
—	Blank
PM	Installation: PM, DC, LK, EL
20	Rated Current(A): 20, 32, 40, 63, 80
R	Locking mode: R:Rotating belt lock, Blank:No lock
3	Poles: 3:3P, 4:4P
RY	Handle Options: RY:Rotating red/yellow handle, B:Rotating black handle
64	Rubber Pad:64:Yes, Blank:No

EAS69 Series AC Isolator 690V 80A



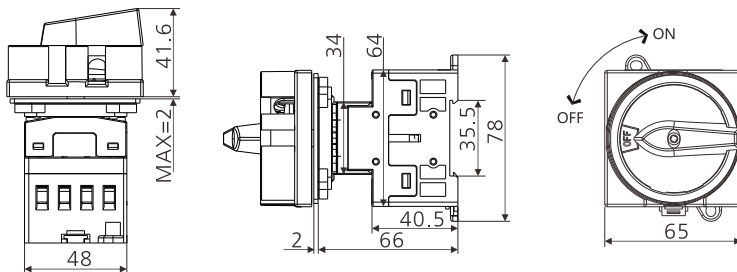
Out of box operation
Guide rail installation



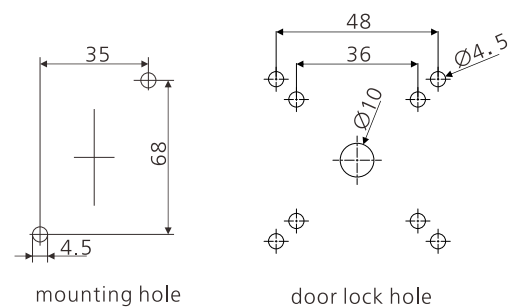
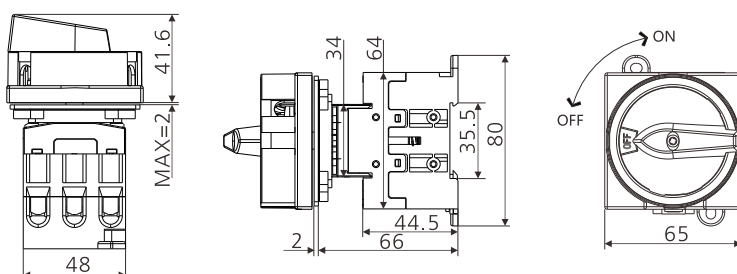
Current Type		20A	32A	40A	63A	80A
		EAS69-PM20R-4RY64	EAS69-PM32R-4RY64	EAS69-PM40R-4RY64	EAS69-PM63R-3RY64	EAS69-PM80R-3RY64
Rated carry current		20A	32A	40A	63A	80A
Rated operating current AC-23A		16A	25A	32A	45A	45A
Rated operating current AC-3		12A	23A	30A	37A	37A
Rated power control AC-23A	240V	4KW	7.5KW	9KW	15KW	15KW
	440V	7.5KW	12.5KW	16KW	22KW	22KW
Rated power control AC-3	240V	3KW	5.5KW	7.5KW	11KW	11KW
	440V	5.5KW	11KW	15KW	18.5KW	18.5KW
UL-CSA	240V	3KW	5KW	5KW	10KW	10KW
Motor load	440V	7.5KW	10KW	10KW	20KW	20KW
Rated short-time withstand current		250A	400A	500A	600A	850A
Cable		0.5-10MM ²			1-16MM ²	
Screw torque		0.8-1.7N · m			1.5-2N · m	
Rated insulation voltage		690V				

Dimension

4Poles 20-40A



3Poles 63-80A



There are 3 installation methods in the picture:
A: 4 holes, center distance 48 (without gasket)
B: 4 holes, center distance 36 (4 holes gasket)

AC ISOLATION SWITCH

EAS69 Series AC Isolator 690V 80A



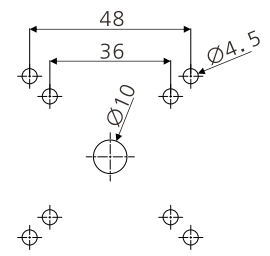
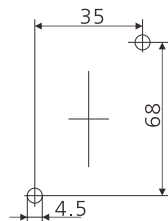
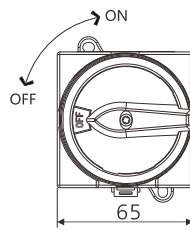
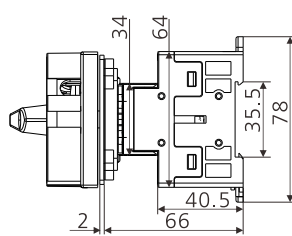
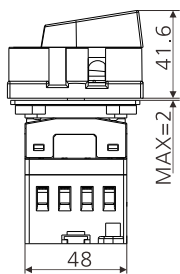
Out of box operation
Guide rail installation



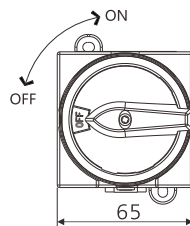
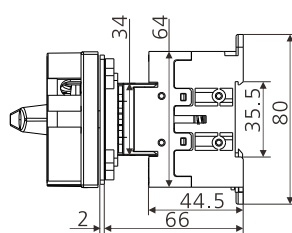
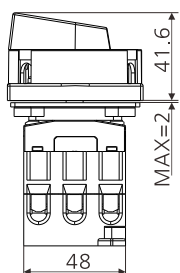
Current Type	20A	32A	40A	63A	80A	
Rated carry current	20A	32A	40A	63A	80A	
Rated operating current AC-23A	16A	25A	32A	45A	45A	
Rated operating current AC-3	12A	23A	30A	37A	37A	
Rated power control AC-23A	240V	4KW	7.5KW	9KW	15KW	15KW
	440V	7.5KW	12.5KW	16KW	22KW	22KW
Rated power control AC-3	240V	3KW	5.5KW	7.5KW	11KW	11KW
	440V	5.5KW	11KW	15KW	18.5KW	18.5KW
UL-CSA	240V	3KW	5KW	5KW	10KW	10KW
Motor load	440V	7.5KW	10KW	10KW	20KW	20KW
Rated short-time withstand current	250A	400A	500A	600A	850A	
Cable	0.5-10MM ²			1-16MM ²		
Screw torque	0.8-1.7N · m			1.5-2N · m		
Rated insulation voltage	690V					

Dimensions

4Poles 20-40A



3Poles 63-80A



mounting hole

door lock hole

There are 3 installation methods in the picture:
A: 4 holes, center distance 48 (without gasket)
B: 4 holes, center distance 36 (4 holes gasket)

EAS69 Series AC Isolator 690V 80A



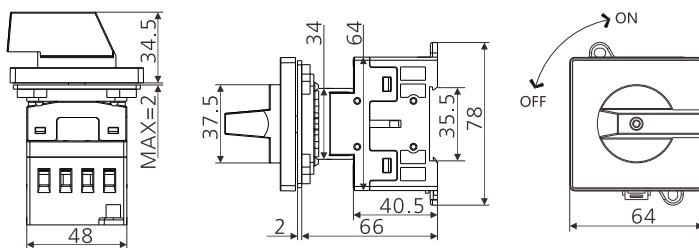
Out of box operation
Guide rail installation



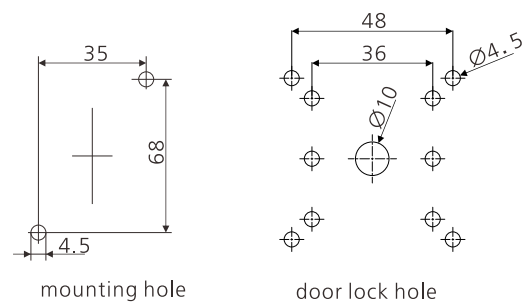
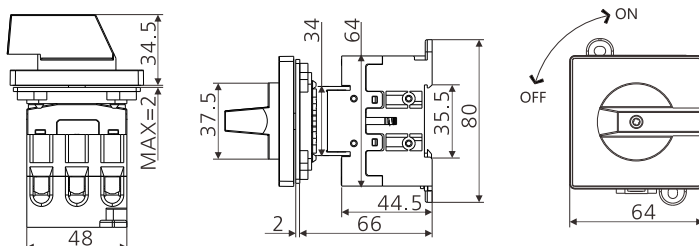
Current Type	20A	32A	40A	63A	80A
	EAS69-PM20-4	EAS69-PM32-4	EAS69-PM40-4	EAS69-PM63-3	EAS69-PM80-3
Rated carry current	20A	32A	40A	63A	80A
Rated operating current AC-23A	16A	25A	32A	45A	45A
Rated operating current AC-3	12A	23A	30A	37A	37A
Rated power control AC-23A	240V	4KW	7.5KW	9KW	15KW
	440V	7.5KW	12.5KW	16KW	22KW
Rated power control AC-3	240V	3KW	5.5KW	7.5KW	11KW
	440V	5.5KW	11KW	15KW	18.5KW
UL-CSA	240V	3KW	5KW	5KW	10KW
Motor load	440V	7.5KW	10KW	10KW	20KW
Rated short-time withstand current	250A	400A	500A	600A	850A
Cable	0.5-10MM ²			1-16MM ²	
Screw torque	0.8-1.7N · m			1.5-2N · m	
Rated insulation voltage	690V				

Dimension

4Poles 20-40A



3Poles 63-80A



There are 3 installation methods in the picture:
 A: 4 holes, center distance 48 (without gasket)
 B: 4 holes, center distance 36 (4 holes gasket)
 C: 2 holes, center distance 36 (2 holes gasket)

AC ISOLATION SWITCH

EAS69 Series AC Isolator 690V 80A

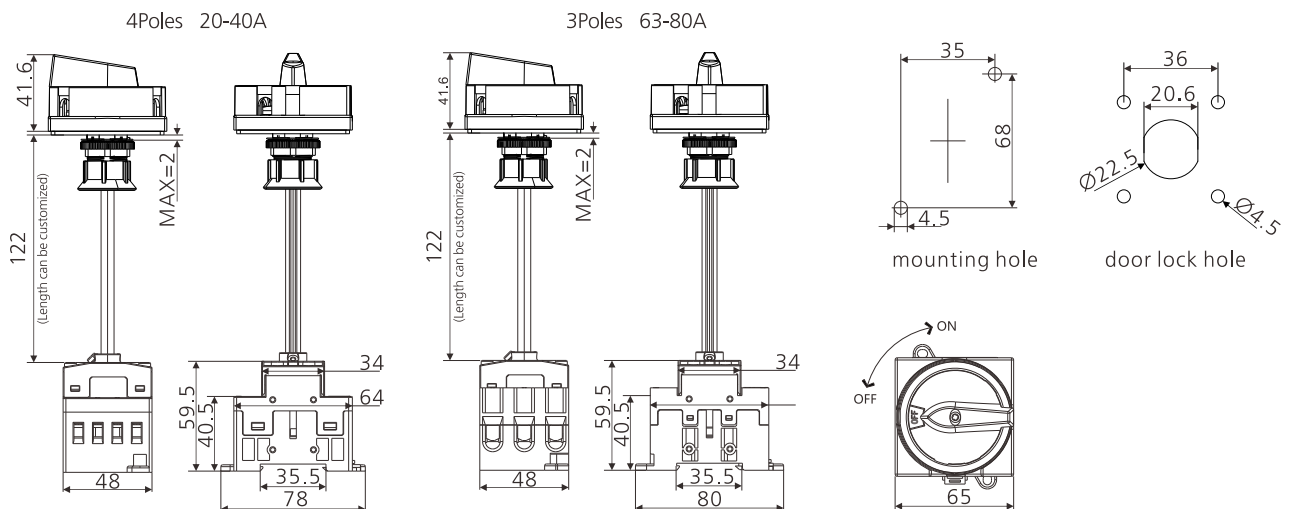


Out of box operation
Guide rail installation



Current	20A	32A	40A	63A	80A	
Type	EAS69-DC20R-4RY64	EAS69-DC32R-4RY64	EAS69-DC40R-4RY64	EAS69-DC63R-3RY64	EAS69-DC80R-3RY64	
Rated carry current	20A	32A	40A	63A	80A	
Rated operating current AC-23A	16A	25A	32A	45A	45A	
Rated operating current AC-3	12A	23A	30A	37A	37A	
Rated power control AC-23A	240V	4KW	7.5KW	9KW	15KW	15KW
	440V	7.5KW	12.5KW	16KW	22KW	22KW
Rated power control AC-3	240V	3KW	5.5KW	7.5KW	11KW	11KW
	440V	5.5KW	11KW	15KW	18.5KW	18.5KW
UL-CSA	240V	3KW	5KW	5KW	10KW	10KW
Motor load	440V	7.5KW	10KW	10KW	20KW	20KW
Rated short-time withstand current	250A	400A	500A	600A	850A	
Cable	0.5-10MM ²			1-16MM ²		
Screw torque	0.8-1.7N · m			1.5-2N · m		
Rated insulation voltage	690V					

Dimensions



EAS69 Series AC Isolator 690V 80A

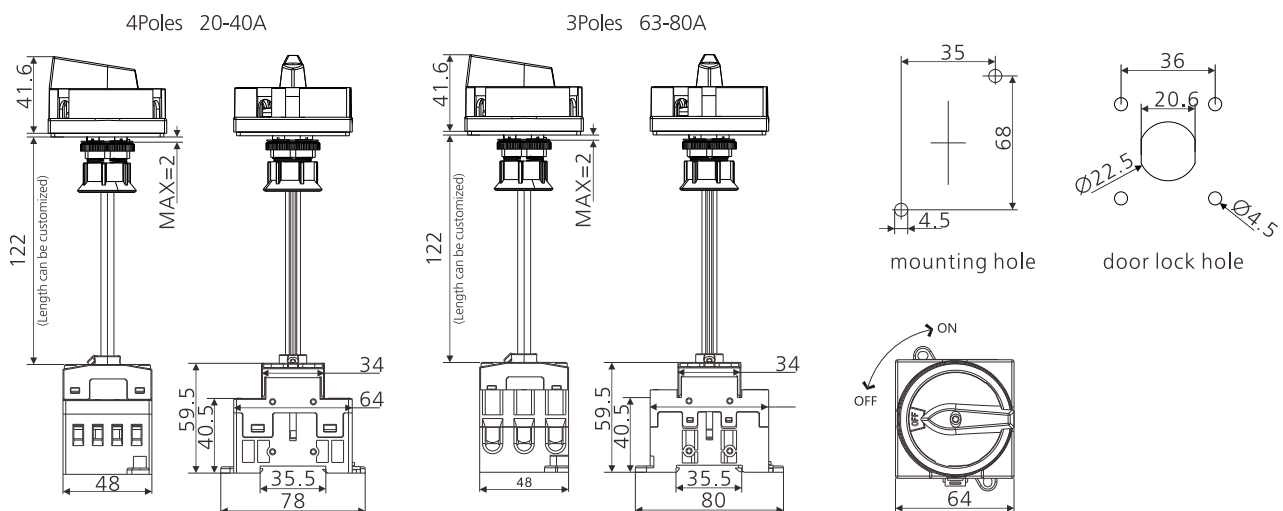


Out of box operation
Guide rail installation



Current	20A	32A	40A	63A	80A
Type	EAS69-DC20R-4B64	EAS69-DC32R-4B64	EAS69-DC40R-4B64	EAS69-DC63R-3B64	EAS69-DC80R-3B64
Rated carry current	20A	32A	40A	63A	80A
Rated operating current AC-23A	16A	25A	32A	45A	45A
Rated operating current AC-3	12A	23A	30A	37A	37A
Rated power control AC-23A	240V	4KW	7.5KW	9KW	15KW
	440V	7.5KW	12.5KW	16KW	22KW
Rated power control AC-3	240V	3KW	5.5KW	7.5KW	11KW
	440V	5.5KW	11KW	15KW	18.5KW
UL-CSA Motor load	240V	3KW	5KW	5KW	10KW
	440V	7.5KW	10KW	10KW	20KW
Rated short-time withstand current	250A	400A	500A	600A	850A
Cable	0.5-10MM ²			1-16MM ²	
Screw torque	0.8-1.7N · m			1.5-2N · m	
Rated insulation voltage	690V				

Dimension



AC ISOLATION SWITCH

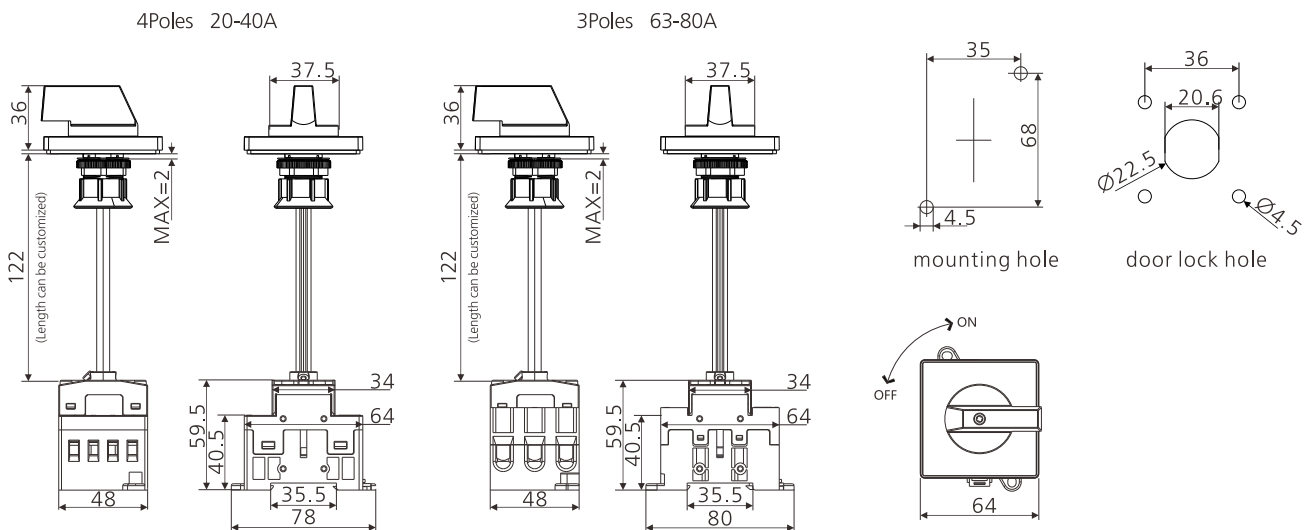
EAS69 Series AC Isolator 690V 80A



Out of box operation
Guide rail installation

Current Type	20A	32A	40A	63A	80A	
Type	EAS69-DC20-4	EAS69-DC32-4	EAS69-DC40-4	EAS69-DC63-3	EAS69-DC80-3	
Rated carry current	20A	32A	40A	63A	80A	
Rated operating current AC-23A	16A	25A	32A	45A	45A	
Rated operating current AC-3	12A	23A	30A	37A	37A	
Rated power control AC-23A	240V	4KW	7.5KW	9KW	15KW	15KW
	440V	7.5KW	12.5KW	16KW	22KW	22KW
Rated power control AC-3	240V	3KW	5.5KW	7.5KW	11KW	11KW
	440V	5.5KW	11KW	15KW	18.5KW	18.5KW
UL-CSA Motor load	240V	3KW	5KW	5KW	10KW	10KW
	440V	7.5KW	10KW	10KW	20KW	20KW
Rated short-time withstand current	250A	400A	500A	600A	850A	
Cable	0.5-10MM ²			1-16MM ²		
Screw torque	0.8-1.7N • m			1.5-2N • m		
Rated insulation voltage	690V					

Dimensions



EAS69 Series AC Isolator 690V 80A

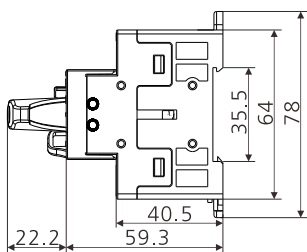


35-Rail mounting
/screw mounting

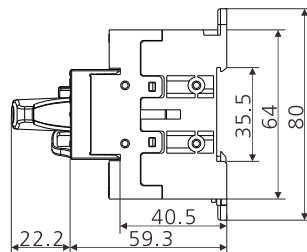
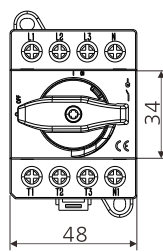


Current Type		20A	32A	40A	63A	80A
		EAS69-LK20-4RY	EAS69-LK32-4RY	EAS69-LK40-4RY	EAS69-LK63-3RY	EAS69-LK80-3RY
Rated carry current		20A	32A	40A	63A	80A
Rated operating current AC-23A		16A	25A	32A	45A	45A
Rated operating current AC-3		12A	23A	30A	37A	37A
Rated power control AC-23A	240V	4KW	7.5KW	9KW	15KW	15KW
	440V	7.5KW	12.5KW	16KW	22KW	22KW
Rated power control AC-3	240V	3KW	5.5KW	7.5KW	11KW	11KW
	440V	5.5KW	11KW	15KW	18.5KW	18.5KW
UL-CSA	240V	3KW	5KW	5KW	10KW	10KW
Motor load	440V	7.5KW	10KW	10KW	20KW	20KW
Rated short-time withstand current		250A	400A	500A	600A	850A
Cable		0.5-10MM ²			1-16MM ²	
Screw torque		0.8-1.7N · m			1.5-2N · m	
Rated insulation voltage		690V				

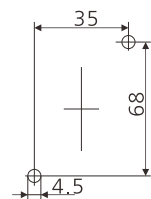
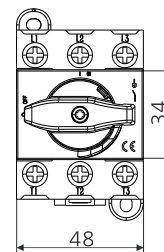
Dimension



4Poles 20-40A



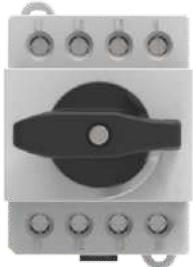
3Poles 63-80A



screw hole

AC ISOLATION SWITCH

EAS69 Series AC Isolator 690V 80A

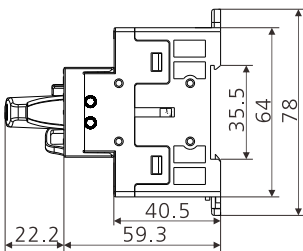


35-Rail mounting
/screw mounting

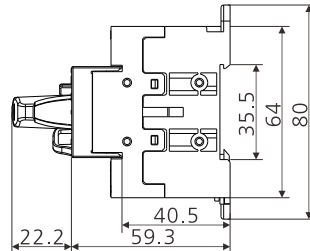
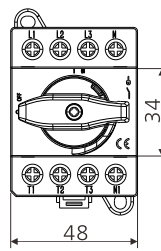


Current Type	20A	32A	40A	63A	80A	
Type	EAS69-LK20-4	EAS69-LK32-4	EAS69-LK40-4	EAS69-LK63-3	EAS69-LK80-3	
Rated carry current	20A	32A	40A	63A	80A	
Rated operating current AC-23A	16A	25A	32A	45A	45A	
Rated operating current AC-3	12A	23A	30A	37A	37A	
Rated power control AC-23A	240V	4KW	7.5KW	9KW	15KW	15KW
	440V	7.5KW	12.5KW	16KW	22KW	22KW
Rated power control AC-3	240V	3KW	5.5KW	7.5KW	11KW	11KW
	440V	5.5KW	11KW	15KW	18.5KW	18.5KW
UL-CSA	240V	3KW	5KW	5KW	10KW	10KW
Motor load	440V	7.5KW	10KW	10KW	20KW	20KW
Rated short-time withstand current	250A	400A	500A	600A	850A	
Cable	0.5-10MM ²			1-16MM ²		
Screw torque	0.8-1.7N • m			1.5-2N • m		
Rated insulation voltage	690V					

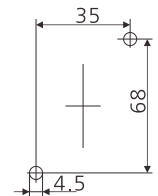
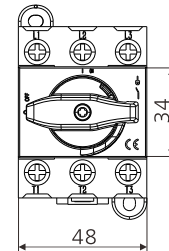
Dimensions



4Poles 20-40A

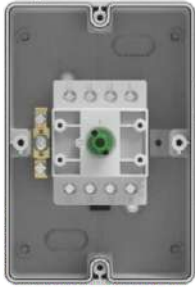


3Poles 63-80A



screw hole

EAS69 Series AC Isolator 690V 80A

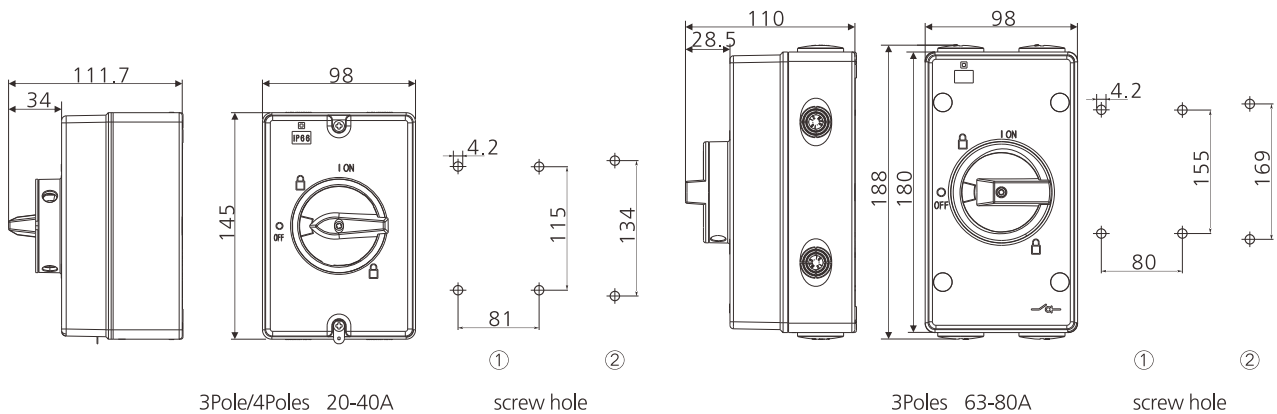


Enclosure mounting



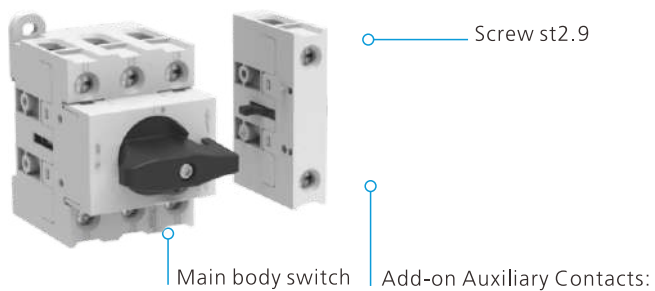
Current Type	20A	32A	40A	63A	80A	
Type	EAS69-EL20R-4	EAS69-EL32R-4	EAS69-EL40R-4	EAS69-EL63R-3	EAS69-EL80R-3	
Rated carry current	20A	32A	40A	63A	80A	
Rated operating current AC-23A	16A	25A	32A	45A	45A	
Rated operating current AC-3	12A	23A	30A	37A	37A	
Rated power control AC-23A	240V	4KW	7.5KW	9KW	15KW	15KW
	440V	7.5KW	12.5KW	16KW	22KW	22KW
Rated power control AC-3	240V	3KW	5.5KW	7.5KW	11KW	11KW
	440V	5.5KW	11KW	15KW	18.5KW	18.5KW
UL-CSA	240V	3KW	5KW	5KW	10KW	10KW
Motor load	440V	7.5KW	10KW	10KW	20KW	20KW
Rated short-time withstand current	250A	400A	500A	600A	850A	
Cable	0.5-10MM ²			1-16MM ²		
Screw torque	0.8-1.7N · m			1.5-2N · m		
Rated insulation voltage	690V					

Dimension

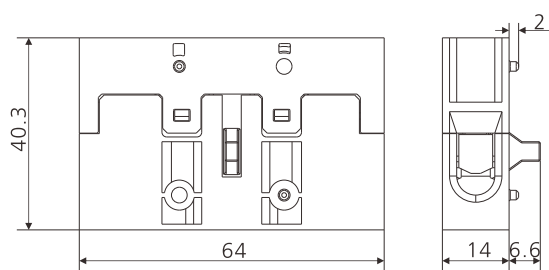


AC ISOLATION SWITCH

EAS69 Series Add-on



Appearance	Type	Rated operation current	Applied to	Circuit diagram
	EAC69-ACC01	80A	EAS69	



EAC69-ACC01